

# Right-angle SMT type 15-contacts male board connector RMC-EA15PMY-OM15-M( ) ( ) ( )

For PCB, with Location Peg

Right-angle SMT

Conforming to PCMCIA/JEITA



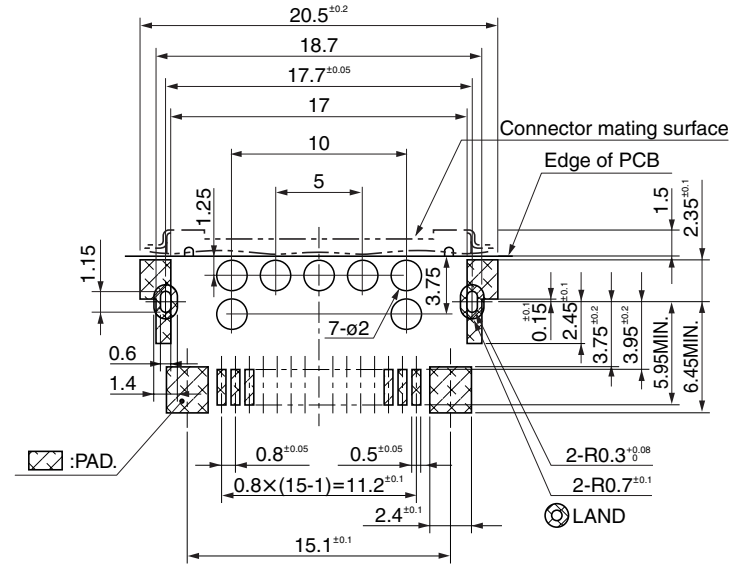
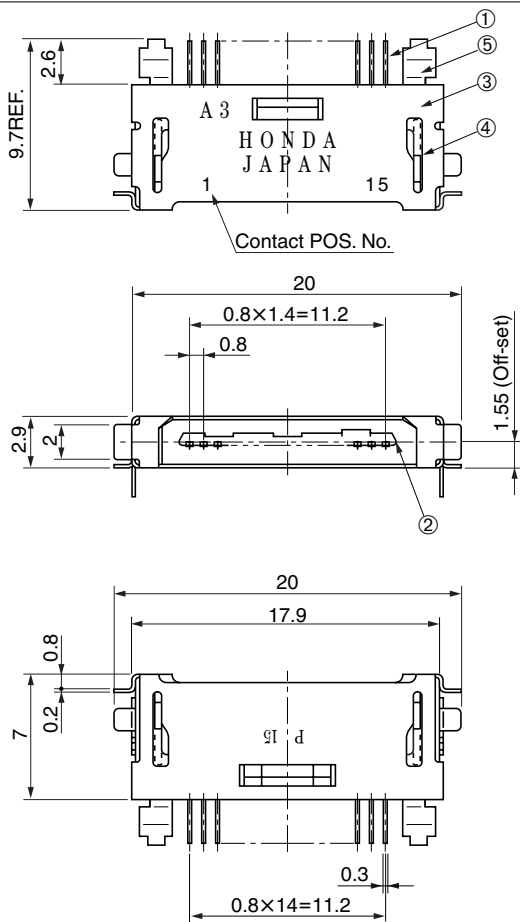
● Configuration of product Part No.

## RMC- EA 15 P MY- OM15- M ( ) ( ) ( )

- ① Series name
- ② EA: Contacts, Hold down, Locking hardware, One-piece molded, EMI-filtered
- ③ No. of contacts: 15
- ④ P: With location peg
- ⑤ MY: SMT type, male
- ⑥ Off-set: OM15 1.5 mm
- ⑦ M: One-piece molded key
- ⑧ Form of Misinsertion prevention key  
A: A type, B: B type
- ⑨ Location of misinsertion prevention key  
Blank: Key-less, 1: 1, 2: 2, 3: 3
- ⑩ Insulator colors  
Applicable only to models with the MB form of key (For the models with other key forms, these insulator colors are all black.)  
Blank: Brown BK: Black

	Forms of keys	Use*
A type		LAN
B type		MODEM

\*Typical use is shown here. These types may also be applicable to other uses.



PCB layout for reference only

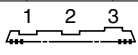
● Components

①	Contacts
②	Insulator
③	Shell
④	Lock hardware
⑤	Hold down

- Use this connector as an interface connector for a mobile computer or other such equipment.
- Recommended PCB thickness: 1 mm
- Because some types of the connectors have no one-piece molded key, please contact us for details.

● Locations of polarization keys

Part No.	Key location	Identification Examples	Mating connectors
RMC-EA15PMY-OM15-M( )	-	A	RMC-E15F4S-LC5( )-M( ) ( )
RMC-EA15PMY-OM15-M( ) 1	1	A1	RMC-E15F4S-LC5( )-M( ) 23
RMC-EA15PMY-OM15-M( ) 2	2	A2	RMC-E15F4S-LC5( )-M( ) 13
RMC-EA15PMY-OM15-M( ) 3	3	A3	RMC-E15F4S-LC5( )-M( ) 12



Mating connectors: Refer to the table shown